



Departamento de Informática Tributaria.
Subdirección General de Aplicaciones de Aduanas e II.EE.
C/ Santa María Magdalena 16, 28016 Madrid

ICS – Import Control System

Message Implementation Guidelines

Author: S.G.A.A | **Date:** 17/01/2013 | **Release:** 1.8

Ed.	Rev.	Date	Description	A(*)	Pages
1	0	01/02/2010	Document creation	A	All
1	1	03/08/2010	Review	A	All
1	2	22/10/2010	Review	A	All
1	3	11/01/2011	Review	A	All
1	4	01/08/2011	Update	A	All
1	5	24/10/2011	Update	A	All
1	6	07/02/2011	Review	A	All
1	7	07/08/2012	Electronic signature requirements updated according to Spanish Government electronic signature policy. New version of the web services, IExxxV5, created	A	All
1	8	17/01/2013	Review	A	All



1. INTRODUCTION	4
2. TRACK CHANGES	5
2.1. Version 1.0	5
2.2. Version 1.1	5
2.3. Version 1.2	5
2.4. Version 1.3	5
2.5. Versión 1.4	5
2.6. Versión 1.5	5
2.7. Versión 1.6	6
2.8. Versión 1.7	6
2.9. Versión 1.8	6
3. IE315 – ENTRY SUMMARY DECLARATION (ENS) - E_ENS_DAT	7
4. IE313 – ENTRY SUMMARY DECLARATION AMENDMENT - E_ENS_AMD	9
5. IE323 – DIVERSION REQUEST IMPORT - E_DIV_REQ	11
6. ENTRY SUMMARY DECLARATION INFORMATION REQUEST – CONSENSV3... ..	13
6.1. Technical Message Structure	14
6.1.1. INPUT MESSAGE (CONSENSV3ENT)	14
6.1.2. OUTPUT MESSAGE (CONSENSV3SAL)	15
7. GENERAL REMARKS	16
7.1. Escaping Characters	16
8. MESSAGE EXAMPLES	17
8.1. IE315 – Entry Summary Declaration (ENS) - E_ENS_DAT	17

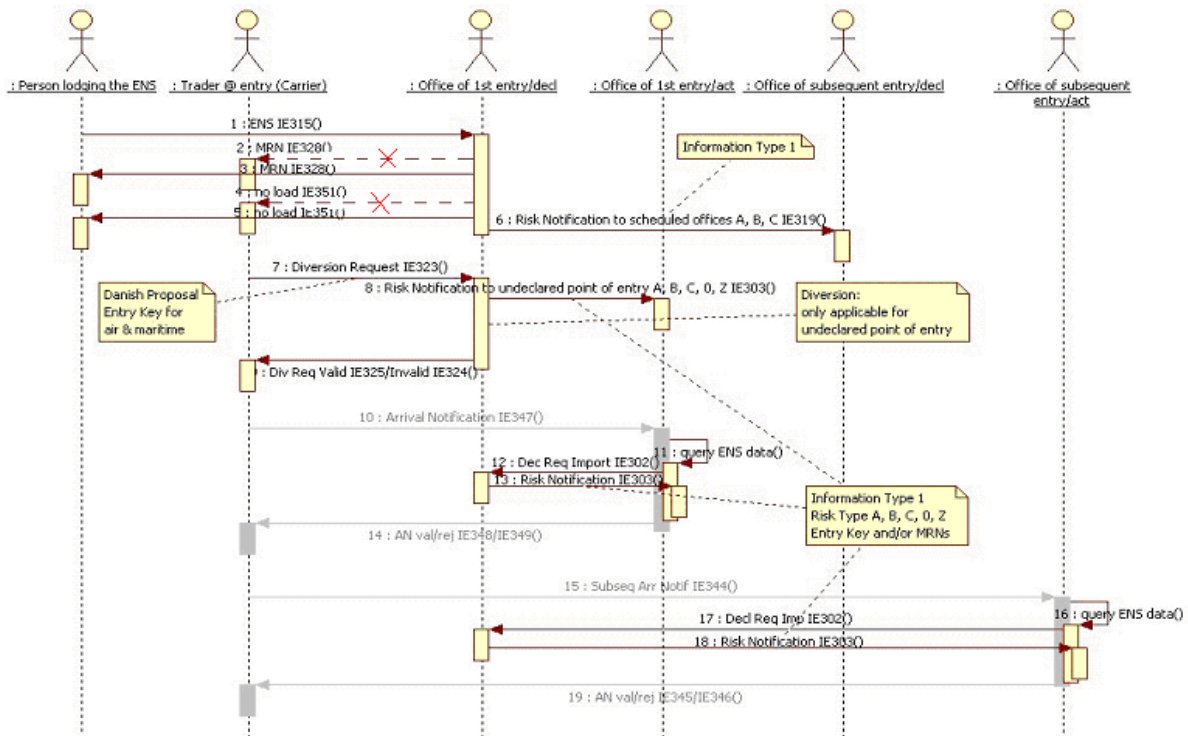


8.2.	IE313 – Entry Summary Declaration Amendment - E_ENS_AMD	21
8.3.	IE323 – Diversion Request Import - E_DIV_REQ	26
8.4.	Entry Summary Declaration Information Request – ConsENSV3.....	29



1. Introduction

This document summarises the Message Implementation Guidelines for the Messages involved in the ICS System implemented in Spain.



ICS Phase 1



2. Track Changes

2.1. Version 1.0

Document creation

2.2. Version 1.1

Xsd Updated.

The Data Group PRODUCED DOCUMENTS/CERTIFICATES, will be added to the Entry Summary Declaration exit message.

2.3. Version 1.2

Requirements for having a valid EORI and/or Tax Identification Number (NIF) reviewed 2010/11/03 correction: **EORI required for the Entry Carrier (Trader)**

2.4. Version 1.3

Correction of the signature polciy.

2.5. Versión 1.4

Clarification on escaping characters.

New version of “Entry Summary Declaration Information Request” service. Current version described in wsdl referred below shall be available until November 15th 2011.

<https://www2.agenciatributaria.gob.es/ADUA/internet/es/aeat/dit/adu/aden/ensws/ConsENSV2.wsdl>

2.6. Versión 1.5

New version of webservices (V4) included (xsd's updated). Current version (V3) and new version (V4) will coexist until December 13th 2011. New version (V4), shall be the only one available from this date.

Main xsds updates:

- Each XSD has to “import” the required namespaces and then reuse the necessary components by using its origin (i.e. the namespace as a prefix). The binary “elementFormDefault” attribute is used in the XSDs in order to control the hiding of namespaces. This is implemented by setting elementFormDefault="unqualified”
- Updated elements
 - LNG data elements
 - Combined Nomenclature
 - Country codes
 - Message type
 - Nationality
 - Customs Office Reference number
 - UN dangerous goods code
 - Place of loading
 - Place of unloading



- Document/reference number
- Kind of packages
- Expected date of arrival
- Declaration request number
- Time data elements
- Day
 - Date of preparation

2.7. Versión 1.6

All references to versions 2 and 3 of the web service are removed.

2.8. Versión 1.7

Electronic signature requirements updated according to Spanish Government electronic signature policy.
New version of the web services, IExxxV5, created

2.9. Versión 1.8

All references to version 4 of the web service are removed.



3. IE315 – Entry Summary Declaration (ENS) - E_ENS_DAT

This service requires an approved digital certificate. Information about approved digital certificates can be found on the AEAT portal:

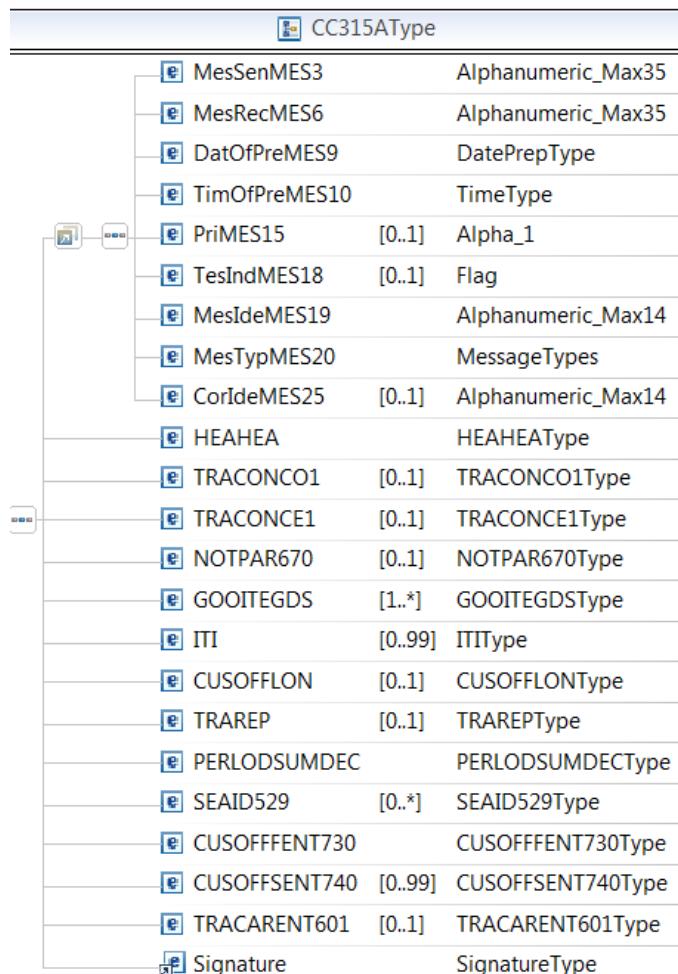
http://www.agenciatributaria.es/AEAT.internet/Inicio_es_ES/Configuracion/top/Ayuda/Certificado_electronico/Certificado_electronico.shtml

The digital certificate is used for both establishing the https connection (authentication) and signing the Entry Summary Declaration (xmldisg-xades extension/type: enveloped). This digital certificate shall be the same for both purposes.

The electronic signature shall be in line with *Real Decreto 4/2010, de 8 de enero, por el que se regula el Esquema Nacional de Interoperabilidad en el ámbito de la Administración Electrónica*. Thus, the required electronic signature is according to XAdES-EPES enveloped 1.2.2 standard as this is one of the possibilities included in the Spanish Government Electronic signature Policy available on:

<http://administracionelectronica.gob.es/es/ctt/politicafirma/>

Recommended algorithms for signing are: RSA/SHA 1. The message shall be signed, by signing the root element to be included in the <Body>, before building the SOAP envelope. As such, the electronic signature (<Signature>) becomes a child of this root element. Please refer to the following figure that shows the <Signature> element as a child of the root element CC315A. Furthermore, the IE315 schema definition imports the schemas required by the electronic signature: xmldsig-core-schema.xsd y XAdES.xsd.



There are currently two parallel versions of the IE315 web service:

Version 5 (electronic signature requirements aligned with technical specifications 1.7 or higher)

<https://www2.agenciatributaria.gob.es/ADUA/internet/es/aeat/dit/adu/aden/enswsv5/IE315V5.wsdl>

In the above wsdl's two possible endpoints can be found:

- Production.

<https://www1.agenciatributaria.gob.es/L/inwivoc/es.aeat.dit.adu.aden.enswsv5.IE315V5SOAP>

- Test.

<https://www1.agenciatributaria.gob.es/L/inwivoc/es.aeat.dit.adu.aden.enswsv5.IE315P5SOAP>

Spanish ICS System follows TAXUD specifications for its National Domain. Current Technical Message Structure is in line with CUD-SC01-DDNIA_ICS_P1_APP_Q - part 2 release 011 (please refer to **“Estructura de mensajes y reglas (CUD-SC01-DDNIA ICS P1 APP Q2 0xx-EN)”**). This document will be regularly updated with the TAXUD specifications conformance status.

Specific considerations

Message Sender Operator Tax Identification Number (NIF). It matches with the one of the digital certificate used for the transmission.



Message recipient.	Fixed value: NICA.ES
Test indicator	“0” for testing purposes. Tag not used in production.
Priority	This tag shall not be used
Message identification	Message identification (alphanumeric up to 14). It shall be unique per message and Trader sending the transaction
Correlation identifier	This tag shall not be used
Requirements for having a valid EORI and/or Tax Identification Number (NIF)	MESSAGE SENDER. <ul style="list-style-type: none">- EORI not required- NIF required for the digital certificate (LODGING SUMMARY DECLARATION) PERSON. <ul style="list-style-type: none">- EORI required.- NIF not required. (REPRESENTATIVE) TRADER. <ul style="list-style-type: none">- EORI required.- NIF not required. (ENTRY CARRIER) TRADER. <ul style="list-style-type: none">- EORI required- NIF not required. (CONSIGNOR) TRADER. <ul style="list-style-type: none">- EORI not required but if the Trader has a valid EORI Trader Identification number (TIN), then the TIN shall be declared- NIF not required. (CONSIGNEE) TRADER. <ul style="list-style-type: none">- EORI not required but if the Trader has a valid EORI Trader Identification number (TIN), then the TIN shall be declared. Also R834 is to be considered.- NIF not required. NOTIFY PARTY. Same as (CONSIGNEE) TRADER but for R 834.

4. IE313 – Entry Summary Declaration Amendment - E_ENS_AMD

This service requires an approved digital certificate. Information about approved digital certificates can be found on the AEAT portal:

http://www.agenciatributaria.es/AEAT.internet/Inicio_es_ES/Configuracion/top/Ayuda/Certificado_electronico/Certificado_electronico.shtml

The digital certificate is used for both establishing the https connection (authentication) and signing the Entry Summary Declaration (xmldisg-xades extension/type: enveloped). This digital certificate shall be the same for both purposes.

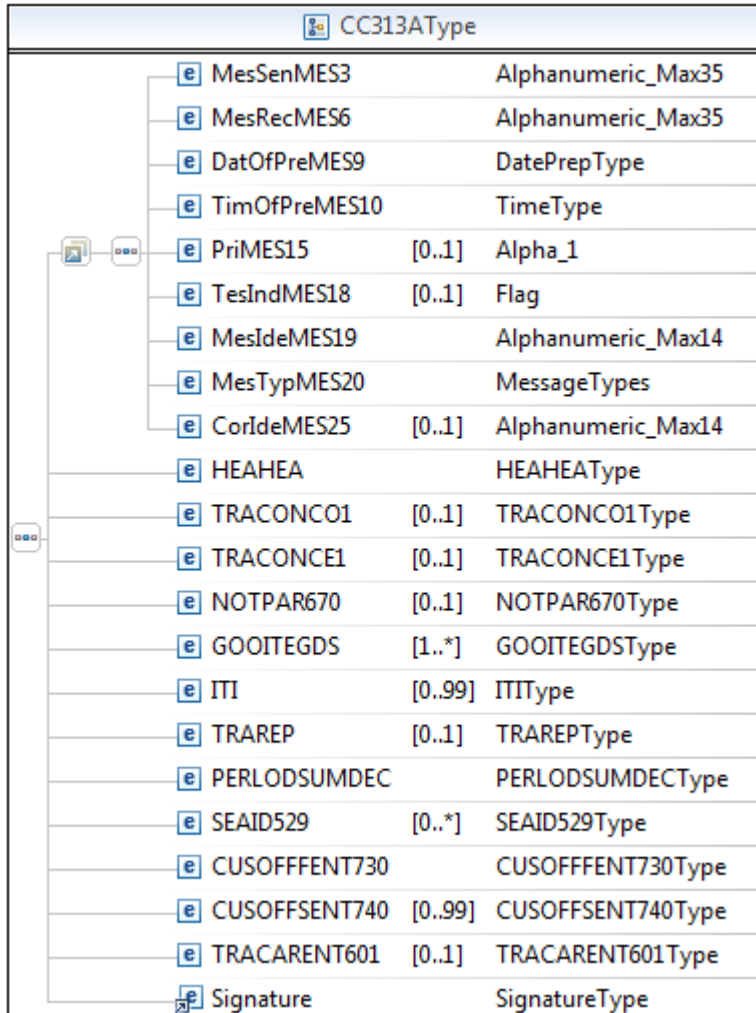
The electronic signature shall be in line with *Real Decreto 4/2010, de 8 de enero, por el que se regula el Esquema Nacional de Interoperabilidad en el ámbito de la Administración Electrónica*. Thus, the required electronic signature is according to XAdES-EPES enveloped 1.2.2 standard as this is one of the possibilities included in the Spanish Government Electronic signature Policy available on:

<http://administracionelectronica.gob.es/es/ctt/politicafirma/>

Recommended algorithms for signing are: RSA/SHA 1. The message shall be signed, by signing the root element to be included in the <Body>, before building the SOAP envelope. As such, the electronic signature (<Signature>) becomes a child of this root element. Please refer to the following figure that shows the



<Signature> element as a child of the root element CC313A. Furthermore, the IE313 schema definition imports the schemas required by the electronic signature: xmldsig-core-schema.xsd y XAdES.xsd.



There are currently two parallel versions of the IE313 web service:

Version 5 (electronic signature requirements aligned with technical specifications 1.7 or higher)

<https://www2.agenciatributaria.gob.es/ADUA/internet/es/aeat/dit/adu/aden/enswsv5/IE313V5.wsdl>

In the above wsdl's two possible endpoints can be found:

- Production.

<https://www1.agenciatributaria.gob.es/L/inwivoc/es.aeat.dit.adu.aden.enswsv5.IE313V5SOAP>

- Test.

<https://www1.agenciatributaria.gob.es/L/inwivoc/es.aeat.dit.adu.aden.enswsv5.IE313P5SOAP>

Spanish ICS System follows TAXUD specifications for its National Domain. Current Technical Message Structure is in line with CUD-SC01-DDNIA_ICS_P1_APP_Q - part 2 release 011 (please refer to



“Estructura de mensajes y reglas(CUD-SC01-DDNIA ICS P1 APP Q2 0xx-EN)”. This document will be regularly updated with the TAXUD specifications conformance status.

Specific considerations

Message Sender	Operator Tax Identification Number (NIF). It matches with the one of the digital certificate used for the transmission.
Message recipient.	Fixed value: NICA.ES
Test indicator	“0” for testing purposes. Tag not used in production.
Priority	This tag shall not be used
Message identification	Message identification (alphanumeric up to 14). It shall be unique per message and Trader sending the transaction
Correlation identifier	This tag shall not be used
Requirements for having a valid EORI and/or Tax Identification Number (NIF)	MESSAGE SENDER. <ul style="list-style-type: none">- EORI not required- NIF required for the digital certificate (LODGING SUMMARY DECLARATION) PERSON. <ul style="list-style-type: none">- EORI required.- NIF not required. (REPRESENTATIVE) TRADER. <ul style="list-style-type: none">- EORI required.- NIF not required. (ENTRY CARRIER) TRADER. <ul style="list-style-type: none">- EORI required- NIF not required. (CONSIGNOR) TRADER. <ul style="list-style-type: none">- EORI not required but if the Trader has a valid EORI Trader Identification number (TIN), then the TIN shall be declared- NIF not required. (CONSIGNEE) TRADER. <ul style="list-style-type: none">- EORI not required but if the Trader has a valid EORI Trader Identification number (TIN), then the TIN shall be declared. Also R834 is to be considered.- NIF not required. NOTIFY PARTY. Same as (CONSIGNEE) TRADER but for R 834.

5. IE323 – Diversion Request Import - E_DIV_REQ

This service requires an approved digital certificate. Information about approved digital certificates can be found on the AEAT portal:

http://www.agenciatributaria.es/AEAT.internet/Inicio_es_ES/Configuracion/top/Ayuda/Certificado_electrónico/Certificado_electrónico.shtml

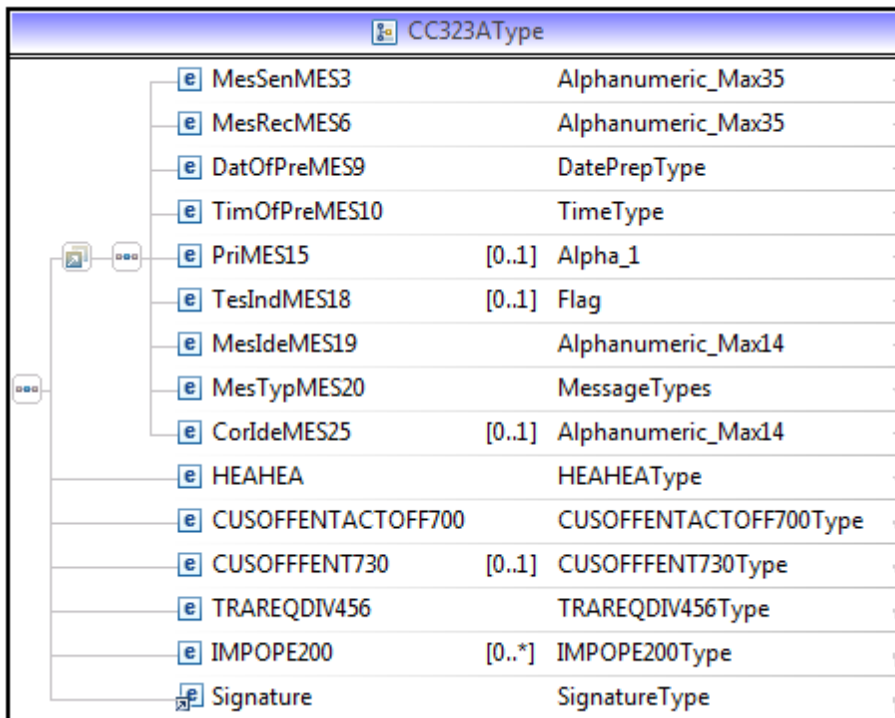
The digital certificate is used for both establishing the https connection (authentication) and signing the Entry Summary Declaration (xmldisg-xades extension/type: enveloped). This digital certificate shall be the same for both purposes.

The electronic signature shall be in line with *Real Decreto 4/2010, de 8 de enero, por el que se regula el Esquema Nacional de Interoperabilidad en el ámbito de la Administración Electrónica*. Thus, the required electronic signature is according to XAdES-EPES enveloped 1.2.2 standard as this is one of the possibilities included in the Spanish Government Electronic signature Policy available on:

<http://administracionelectronica.gob.es/es/ctt/politicafirma/>



Recommended algorithms for signing are: RSA/SHA 1. The message shall be signed, by signing the root element to be included in the <Body>, before building the SOAP envelope. As such, the electronic signature (<Signature>) becomes a child of this root element. Please refer to the following figure that shows the <Signature> element as a child of the root element CC323A. Furthermore, the IE323 schema definition imports the schemas required by the electronic signature: xmldsig-core-schema.xsd y XAdES.xsd.



There are currently two parallel versions of the IE323 web service:

Version 5 (electronic signature requirements aligned with technical specifications 1.7 or higher)

<https://www2.agenciatributaria.gob.es/ADUA/internet/es/aeat/dit/adu/aden/enswsv5/IE323V5.wsdl>

In the above wsdl's two possible endpoints can be found:

- Production.

<https://www1.agenciatributaria.gob.es/L/inwvdoc/es.aeat.dit.adu.aden.enswsv5.IE323V5SOAP>

- Test.

<https://www1.agenciatributaria.gob.es/L/inwvdoc/es.aeat.dit.adu.aden.enswsv5.IE323P5SOAP>

Spanish ICS System follows TAXUD specifications for its National Domain. Current Technical Message Structure is in line with CUD-SC01-DDNIA_ICS_P1_APP_Q - part 2 release 011 (please refer to “**Estructura de mensajes y reglas(CUD-SC01-DDNIA_ICS_P1_APP_Q2_0xx-EN)**”). This document will be regularly updated with the TAXUD specifications conformance status.

Specific considerations

Message Sender	Operator Tax Identification Number (NIF). It matches with the one of the digital certificate used for the transmission.
Message recipient.	Fixed value: NICA.ES



Test indicator	“0” for testing purposes. Tag not used in production.
Priority	This tag shall not be used
Message identification	Message identification (alphanumeric up to 14). It shall be unique per message and Trader sending the transaction
Correlation identifier	This tag shall not be used
Requirements for having a valid EORI and/or Tax Identification Number (NIF)	MESSAGE SENDER. - EORI not required - NIF required for the digital certificate (LODGING SUMMARY DECLARATION) PERSON. - EORI required. - NIF not required. (REPRESENTATIVE) TRADER. - EORI required. - NIF not required. (ENTRY CARRIER) TRADER. - EORI required - NIF not required. (REQUESTING DIVERSION) TRADER - EORI required. - NIF not required. (CONSIGNOR) TRADER. - EORI not required but if the Trader has a valid EORI Trader Identification number (TIN), then the TIN shall be declared - NIF not required. (CONSIGNEE) TRADER. - EORI not required but if the Trader has a valid EORI Trader Identification number (TIN), then the TIN shall be declared. Also R834 is to be considered. - NIF not required. NOTIFY PARTY. Same as (CONSIGNEE) TRADER but for R 834.

6. Entry Summary Declaration Information Request – ConsENSV3

This service allows Traders, other than the Person Lodging Summary Declaration, to request the MRN and the possible no load notifications related to an ENS. Traders shall be able to request this information by:

- Option 1 Entry Key:
 - Transport mode at border
 - Expected date of arrival
 - Identity of means of transport: IMO code / IATA code
- Option 2: Entry Key + Transport Documents reference number (master)

These options are summarised in the following table:

Transport mode at border	N2	Required (1)
Expected date of arrival	N8	Required (1)
Identity of means of transport	A35	Required (1)
Transport Document number (Master)	A35	Optional (2)

Depending on the input option selected, the output information shall consist of:



Transport mode at border	N2	Required
Expected date of arrival	N8	Required
Identity of means of transport	A35	Required
Error Code	A2	Dependent
Error Description	A100	Dependent
MRN	A21	Dependent
Declaration Date and time	N12	Dependent
Goods Item	N5	Dependent
Transport Document number	A35	Dependent
No load indicator	N1	Dependent
Document type	A4	Dependent
Document reference	A35	Dependent

This service requires an approved digital certificate. Information about approved digital certificates can be found on the AEAT portal:

http://www.agenciatributaria.es/AEAT.internet/Inicio_es_ES/Configuracion/_top_/Ayuda/Certificado_electronico/Certificado_electronico.shtml

This service is implemented by a Web Service published on:

<https://www2.agenciatributaria.gob.es/ADUA/internet/es/aeat/dit/adu/aden/ensws/ConsENSV3.wsdl>

In the above wsdl two possible endpoints can be found:

- Production.

<https://www1.agenciatributaria.gob.es/L/inwinvoc/es.aeat.dit.adu.aden.sWeb.ConsENSV3SOAP>

- Test. <https://www1.agenciatributaria.gob.es/L/inwinvoc/es.aeat.dit.adu.aden.sWeb.ConsENSP3SOAP>

6.1. Technical Message Structure

Technical Message Structure for this service is as follows

6.1.1. Input Message (ConsENSV3Ent)

---HEADER 1x R

--- HEADER

Transport mode at border	R	n..2	18*	
Expected date of arrival	R	n8		R030
Identity of means of transport	R	an..35		
Transport Document number (Master)	D	an..35		



6.1.2. Output Message (ConsENSv3Sal)

--- HEADER	1x	R
--- MRN	999x	D
----- GOODS ITEM	99x	D
----- DOCUMENTS	99x	D

--- HEADER

Transport mode at border	R	n..2	18*	
Expected date of arrival	R	n8		R030
Identity of means of transport	R	an..35		
Error Code	D	n2		
Error Description	D	an..100		

---MRN

MRN	R	an..21		
Declaration Date and time	R	n12		R660

----- GOODS ITEM

Goods item	R	n..5		
Transport Document number	D	an..35		
No load indicator	D	n1		

----- DOCUMENTS

Document type	R	an..4		
Document reference	R	an..35		

- Specific considerations:
 - * Code list 18
 - R030: YYYYMMDD
 - R660: YYYYMMDDHHMM
 - R: required
D: Dependant
 - MRD and GOODS ITEM information depends on whether and error has been found in the input message.
 - No load indicator:
 - 0 load
 - 1 no load
 - Error codes and descriptions
 - 01 Invalid Certificate
 - 02 Invalid Trader NIF
 - 03 XML error
 - 04 Invalid format
 - 05 Invalid required or dependant element
 - 06 Entry Key not found



7. General remarks

7.1. Escaping Characters

Reserved characters can't be included in strings in XML documents unless they are part of a CDATA section or unless they're escaped with a character entity. The following entities are defined in XML:

Character	Scape character
&	&
<	<
>	>
'	'
"	"



8. Message examples

8.1. IE315 – Entry Summary Declaration (ENS) - E_ENS_DAT

<ie:CC315A

xmlns:ie="https://www2.agenciatributaria.gob.es/ADUA/internet/es/aeat/dit/adu/aden/enswsv5/IE315V5Ent.xsd" Id="CC315A">

```
<MesSenMES3>89890001K</MesSenMES3>
<MesRecMES6>NICA.ES</MesRecMES6>
<DatOfPreMES9>101010</DatOfPreMES9>
<TimOfPreMES10>2002</TimOfPreMES10>
<MesIdeMES19>09ES112222110</MesIdeMES19>
<MesTypMES20>CC315A</MesTypMES20>
<HEAHEA>
  <RefNumHEA4>LRN000000041</RefNumHEA4>
  <TraModAtBorHEA76>5</TraModAtBorHEA76>
  <IdeOfMeaOfTraCroHEA85>1111111</IdeOfMeaOfTraCroHEA85>
  <IdeOfMeaOfTraCroHEA85LNG>ES</IdeOfMeaOfTraCroHEA85LNG>
  <TotNumOfIteHEA305>3</TotNumOfIteHEA305>
  <TotNumOfPacHEA306>50</TotNumOfPacHEA306>
  <TotGroMasHEA307>10</TotGroMasHEA307>
  <DecPlaHEA394>Madrid</DecPlaHEA394>
  <DecPlaHEA394LNG>ES</DecPlaHEA394LNG>
  <SpeCirIndHEA1>A</SpeCirIndHEA1>
  <TraChaMetOfPayHEA1>C</TraChaMetOfPayHEA1>
  <ComRefNumHEA>a828rt</ComRefNumHEA>
  <ConRefNumHEA>7777b</ConRefNumHEA>
  <PlaLoaGOOITE334>ESMadrid</PlaLoaGOOITE334>
  <PlaLoaGOOITE334LNG>ES</PlaLoaGOOITE334LNG>
  <PlaUnlGOOITE334>ESSegovia</PlaUnlGOOITE334>
  <CodPIUnHEA357LNG>ES</CodPIUnHEA357LNG>
  <DecDatTimHEA114>201207041455</DecDatTimHEA114>
</HEAHEA>
<TRACONCO1>
  <NamCO17>JUAN CARLOS</NamCO17>
  <StrAndNumCO122>Almansa</StrAndNumCO122>
  <PosCodCO123>28007</PosCodCO123>
  <CitCO124>Madrid</CitCO124>
  <CouCO125>ES</CouCO125>
  <TINCO159>ESA08005688</TINCO159>
</TRACONCO1>
<TRACONCE1>
  <NamCE17>luis</NamCE17>
  <StrAndNumCE122>cruz</StrAndNumCE122>
  <PosCodCE123>28005</PosCodCE123>
  <CitCE124>Madrid</CitCE124>
  <CouCE125>ES</CouCE125>
  <NADLNGCE>ES</NADLNGCE>
  <TINCE159>ESA08005688</TINCE159>
</TRACONCE1>
<GOOITEGDS>
  <IteNumGDS7>1</IteNumGDS7>
  <GooDesGDS23>DESCRIPCION PARTIDA1</GooDesGDS23>
  <GooDesGDS23LNG>ES</GooDesGDS23LNG>
  <GroMasGDS46>100</GroMasGDS46>
```



```
<ComRefNumGIM1>REFERENCIACOMER1</ComRefNumGIM1>
<PRODOCDC2>
  <DocTypDC21>Y022</DocTypDC21>
  <DocRefDC23>ESAEOC1</DocRefDC23>
  <DocRefDCLNG>ES</DocRefDCLNG>
</PRODOCDC2>
<PRODOCDC2>
  <DocTypDC21>N703</DocTypDC21>
  <DocRefDC23>ESAEOC1</DocRefDC23>
  <DocRefDCLNG>ES</DocRefDCLNG>
</PRODOCDC2>
<COMCODGODITM>
  <ComNomCMD1>123456</ComNomCMD1>
</COMCODGODITM>
<CONNR2>
  <ConNumNR21>1</ConNumNR21>
</CONNR2>
<CONNR2>
  <ConNumNR21>2</ConNumNR21>
</CONNR2>
<PACGS2>
  <KinOfPacGS23>NE</KinOfPacGS23>
  <NumOfPacGS24>0</NumOfPacGS24>
  <NumOfPieGS25>10</NumOfPieGS25>
  <MarNumOfPacGSL21>PAQUETES1</MarNumOfPacGSL21>
  <MarNumOfPacGSL21LNG>ES</MarNumOfPacGSL21LNG>
</PACGS2>
<PACGS2>
  <KinOfPacGS23>NE</KinOfPacGS23>
  <NumOfPacGS24>0</NumOfPacGS24>
  <NumOfPieGS25>10</NumOfPieGS25>
  <MarNumOfPacGSL21>PAQUETES1</MarNumOfPacGSL21>
  <MarNumOfPacGSL21LNG>ES</MarNumOfPacGSL21LNG>
</PACGS2>
</GOOITEGDS>
<GOOITEGDS>
  <IteNumGDS7>2</IteNumGDS7>
  <GooDesGDS23>DESCRIPCION PARTIDA2</GooDesGDS23>
  <GooDesGDS23LNG>ES</GooDesGDS23LNG>
  <GroMasGDS46>50</GroMasGDS46>
  <ComRefNumGIM1>REFERENCIACOMER1</ComRefNumGIM1>
  <PRODOCDC2>
    <DocTypDC21>Y022</DocTypDC21>
    <DocRefDC23>ESAEOC1</DocRefDC23>
    <DocRefDCLNG>ES</DocRefDCLNG>
  </PRODOCDC2>
  <PRODOCDC2>
    <DocTypDC21>N703</DocTypDC21>
    <DocRefDC23>ESAEOC1</DocRefDC23>
    <DocRefDCLNG>ES</DocRefDCLNG>
  </PRODOCDC2>
  <CONNR2>
    <ConNumNR21>1</ConNumNR21>
  </CONNR2>
  <CONNR2>
    <ConNumNR21>2</ConNumNR21>
  </CONNR2>
```



```
<PACGS2>
  <KinOfPacGS23>NE</KinOfPacGS23>
  <NumOfPacGS24>0</NumOfPacGS24>
  <NumOfPieGS25>10</NumOfPieGS25>
  <MarNumOfPacGSL21>PAQUETES1</MarNumOfPacGSL21>
  <MarNumOfPacGSL21LNG>ES</MarNumOfPacGSL21LNG>
</PACGS2>
<PACGS2>
  <KinOfPacGS23>NE</KinOfPacGS23>
  <NumOfPacGS24>0</NumOfPacGS24>
  <NumOfPieGS25>10</NumOfPieGS25>
  <MarNumOfPacGSL21>PAQUETES1</MarNumOfPacGSL21>
  <MarNumOfPacGSL21LNG>ES</MarNumOfPacGSL21LNG>
</PACGS2>
</GOOITEGDS>
<ITI>
  <CouOfRouCodITI1>IL</CouOfRouCodITI1>
</ITI>
<ITI>
  <CouOfRouCodITI1>ES</CouOfRouCodITI1>
</ITI>
<ITI>
  <CouOfRouCodITI1>FR</CouOfRouCodITI1>
</ITI>
<ITI>
  <CouOfRouCodITI1>IT</CouOfRouCodITI1>
</ITI>
<PERLODSUMDEC>
  <NamPLD1>PEDRO</NamPLD1>
  <StrAndNumPLD1>CASTELLANA</StrAndNumPLD1>
  <PosCodPLD1>28003</PosCodPLD1>
  <CitPLD1>MADRID</CitPLD1>
  <CouCodPLD1>ES</CouCodPLD1>
  <PERLODSUMDECLNG>ES</PERLODSUMDECLNG>
  <TINPLD1>ESA08005688</TINPLD1>
</PERLODSUMDEC>
<SEID529>
  <SealdSEID530>1</SealdSEID530>
  <SealdSEID530LNG>ES</SealdSEID530LNG>
</SEID529>
<SEID529>
  <SealdSEID530>2</SealdSEID530>
  <SealdSEID530LNG>ES</SealdSEID530LNG>
</SEID529>
<CUSOFFFENT730>
  <RefNumCUSOFFFENT731>ES009999</RefNumCUSOFFFENT731>
  <ExpDatOfArrFIRENT733>200810230455</ExpDatOfArrFIRENT733>
</CUSOFFFENT730>
<CUSOFFSENT740>
  <RefNumSUBENR909>FR000010</RefNumSUBENR909>
</CUSOFFSENT740>
<CUSOFFSENT740>
  <RefNumSUBENR909>IT014100</RefNumSUBENR909>
</CUSOFFSENT740>
<TRACARENT601>
  <NamTRACARENT604>ROSA</NamTRACARENT604>
  <StrNumTRACARENT607>MONCLOA</StrNumTRACARENT607>
```



```
<PstCodTRACARENT606>28007</PstCodTRACARENT606>
<CtyTRACARENT603>MADRID</CtyTRACARENT603>
<CouCodTRACARENT605>ES</CouCodTRACARENT605>
<TRACARENT601LNG>ES</TRACARENT601LNG>
<TINTRACARENT602>ESA08005688</TINTRACARENT602>
</TRACARENT601>
<Signature xmlns="http://www.w3.org/2000/09/xmldsig#" Id="Firma">
  <SignedInfo>
    <CanonicalizationMethod Algorithm="http://www.w3.org/TR/2001/REC-xml-c14n-
20010315"/>
    <SignatureMethod Algorithm="http://www.w3.org/2000/09/xmldsig#rsa-sha1"/>
    <Reference URI="#CC315A">
      <Transforms>
        <Transform
Algorithm="http://www.w3.org/2000/09/xmldsig#enveloped-signature"/>
      </Transforms>
    <DigestMethod Algorithm="http://www.w3.org/2000/09/xmldsig#sha1"/>
    <DigestValue>6dieYi+DQy2ZPur2UX3J3JkZpPM=</DigestValue>
  </Reference>
  <Reference URI="#CertificadoFirmante">
    <DigestMethod Algorithm="http://www.w3.org/2000/09/xmldsig#sha1"/>
    <DigestValue>1Qj7ufe7W3vKpfxJsgH/nXVMGP0=</DigestValue>
  </Reference>
  <Reference URI="#SignedProperties">
    <DigestMethod Algorithm="http://www.w3.org/2000/09/xmldsig#sha1"/>
    <DigestValue>EHuKVTDdeI/FPI86myF1CJL26k1Y=</DigestValue>
  </Reference>
</SignedInfo>

  <SignatureValue>Vb5/w4P4aHjj9uzanDlIcd4W+e9VRxkgLm9OTZpLIQYGI2aO3jJmbKDKdHDMiXQN
KuEyo3z+Tb8
QBdHpezc73UMNWEMe0eeqGB9NZGTEn8vWChnGDrcr/rhxyANsyKJ+HYZtd9nHT3QyROVN0pnOivw
rE49XrDazUOaa4Wx5vA=</SignatureValue>
  <KeyInfo Id="CertificadoFirmante">
    <X509Data>
      <X509Certificate>MIIFLDCCBJWgAwIBAgIEPL6DLjANBgkqhkiG9w0BAQUFADA2MQswCQYDVQ
QGEwJFUzENMAsGA1UE
ChMERk5NVDEYMBYGA1UECzMPrk5NVCBDbGFzZSAyIENBMB4XDTEwMDUyNjE3NDYwN1oXDTEzMDUy
DUy
NjE3NDYwN1owYyYxMjE3NDYwN1oXDTEzMDUyNjE3NDYwN1oXDTEzMDUyNjE3NDYwN1oXDTEzMDUy
Ns
YXNiIDgQ0ExEjAQBGNVBAStCTUwMDA1MzA3NTE7MDkGA1UEAxMyTk9NQlJFIENFUlRJRkIDQURP
IFVOTyBURUxFTUFUSUNBUyAtIE5JRiA4OTg5MDAwMUswZ8wDQYJKoZIhvcNAQEBBQADgY0AMIGJ
AoGBAMO+DIEnMdec00dcNNecW+s3kkHAK6NQDE9sRneFjkbpzoJv/Srr06IYOEh4SEh7njfz9uqQ
sOXkSkSThIQediet4C8pbODXE4fNgvTKtz/K0g3BR68IAMRgvhTTNKuRHoFPVR1y6d1nU6RSz0pb
zJU2LTgBXkhY1ujxi1bzu+IPAgMBAAGjggLzMIIC7zBzBgNVHREEbDBqGgwZjEYMBYGCsGAQQB
rGYBBBMJODk4OTAwMDFLMRLwEAYJKwYBBAGSgZgEDEwNVTk8xGjAYBgkrBgEEAaxmAQITC0NFUIRj
RkIDQURPMDRowGAYJKwYBBAGSgZgEBEwtURUxFTUFUSUNBUzAJBgNVHRMEAjAAMCsGA1UdEAQkM
CKA
DzlwMTAwNTI2MTc0NjA3WoEPMjAxMzA1MjYxNzQ2MDdaMAsGA1UdDwQEAwIFoDARBgIghkgBhvCh
AQEEBAMCBaAwHQYDVR0OBBYEFQjNDzUcqdgS/YY4OL8WSjYXZvVMB8GA1UdIwQYMBaAFECadkS
X
dAferBTLHo1POkV8MNdhMIIBMqYDVR0gBIIBKDCCASQwggEgBgkrBgEEAaxmAwUwggERMDQGCCsG
AQUBwIBFihodHRwOi8vd3d3LmNlcnQuZm5tdC5lcy9jb252ZW5pb9kGMucGRmMIHYBggrBgEF
BQcCAjCBYxqByENlcnRpZmljYWRvIFJlY29ub2NpZG8gZXhwZW50ZG8gc2Vn+m4gbGVnaXNsYWNp
824gdmlnZW50ZS5Vc28gbGItXRhZG8gYSBsYSBDb211bmlkYWQgRWwYI3Ry825pY2EgcG9yIHZh
```



```
bG9yIG3heGltbyBkZSAxMDAgZSBzYWx2byBleGNlcGNpb25lcyBibiBEUEMuQ29udGFjdG8gRk5N
VDpDL0pvcmdllEp1YW4gMTA2LTl4MDA5LU1hZHJpZC1Fc3Bh8WEuMB0GCSsGAQQBrGYBIQQQFg5Q
RVJT05BIEZJU0IDQTAwBgggBgEFBQcBAwQjMCEwCAYGBACORgEBMBUGBgQAjkYBAjALEwNfVVIC
AWQCAQAwWwYDVR0fBFQwUjBQoE6gTKRKMExCzAJBgNVBAYTAKVTM0wCwYDVRQQKEwRGTK1U
MRgw
FgYDVQQLEw9GTk1UIENsYXNIIDlgQ0ExEDA0BgNVBAMTB0NSTDcyNjcwDQYJKoZIhvcNAQEFBQAD
gYEASDUM27IQ+g7HDbqUmcJbXP6oWGN1bshDCeKuzte4Eulw8ITKjyBWeR8hnci0F/G0h5nLWnZt
8bdnXaNES2QINf2jyuVaS7ydZTy03X19lBU1Y0xHiLT9adonXxgH8U7jWyVlu6UdlPezymahZQVE
VJID5AZAmfdbPa4zhW7IG14=</X509Certificate>
</X509Data>
</KeyInfo>
<Object>
  <etsi:QualifyingProperties xmlns:ds="http://www.w3.org/2000/09/xmldsig#"
xmlns:etsi="http://uri.etsi.org/01903/v1.2.2#" Target="#Firma">
    <etsi:SignedProperties Id="SignedProperties">
      <etsi:SignedSignatureProperties>
        <etsi:SigningTime>2012-07-
04T17:28:13+02:00</etsi:SigningTime>
        <etsi:SignaturePolicyIdentifier>
          <etsi:SignaturePolicyId>
            <etsi:SigPolicyId>
              <etsi:Identifier>http://administracionelectronica.gob.es/es/ctt/politicafirma/politica_firma_AGE_v1_8.p
df</etsi:Identifier>
              </etsi:SigPolicyId>
              <etsi:SigPolicyHash>
                <ds:DigestMethod
Algorithm="http://www.w3.org/2000/09/xmldsig#sha1"/>
                </ds:DigestMethod>
              </etsi:SigPolicyHash>
            </etsi:SigPolicyId>
          </etsi:SignaturePolicyId>
        </etsi:SignedSignatureProperties>
      </etsi:SignedProperties>
    </etsi:QualifyingProperties>
  </Object>
</Signature>
</ie:CC315A>
```

8.2. IE313 – Entry Summary Declaration Amendment - E_ENS_AMD

```
<ie:CC313A
xmlns:ie="https://www2.agenciatributaria.gob.es/ADUA/internet/es/aeat/dit/adu/aden/enswsv5/IE313V5Ent.x
sd" Id="CC313A">
  <MesSenMES3>99999999R</MesSenMES3>
  <MesRecMES6>NICA.ES</MesRecMES6>
  <DatOfPreMES9>111111</DatOfPreMES9>
  <TimOfPreMES10>2002</TimOfPreMES10>
  <MesIdeMES19>09ES1159460733</MesIdeMES19>
  <MesTypMES20>CC313A</MesTypMES20>
  <HEAHEA>
    <DocNumHEA5>09ES00461170000370</DocNumHEA5>
    <TraModAtBorHEA76>1</TraModAtBorHEA76>
    <IdeOfMeaOfTraCroHEA85>111111</IdeOfMeaOfTraCroHEA85>
  </HEAHEA>
</ie:CC313A>
```



```
<IdeOfMeaOfTraCroHEA85LNG>ES</IdeOfMeaOfTraCroHEA85LNG>
<TotNumOfIteHEA305>4</TotNumOfIteHEA305>
<TotNumOfPacHEA306>55</TotNumOfPacHEA306>
<TotGroMasHEA307>20</TotGroMasHEA307>
<AmdPlaHEA598>Barcelona</AmdPlaHEA598>
<SpeCirIndHEA1>E</SpeCirIndHEA1>
<TraChaMetOfPayHEA1>C</TraChaMetOfPayHEA1>
<ComRefNumHEA>A800RR</ComRefNumHEA>
<ConRefNumHEA>9999A</ConRefNumHEA>
<PlaLoaGOOITE334>ESBarcelona</PlaLoaGOOITE334>
<PlaLoaGOOITE334LNG>ES</PlaLoaGOOITE334LNG>
<PlaUnlGOOITE334>ESValencia</PlaUnlGOOITE334>
<CodPIUnHEA357LNG>ES</CodPIUnHEA357LNG>
<DatTimAmeHEA113>200810101455</DatTimAmeHEA113>
</HEAHEA>
<TRACONCO1>
  <NamCO17>Ronaldo</NamCO17>
  <StrAndNumCO122>perez</StrAndNumCO122>
  <PosCodCO123>28097</PosCodCO123>
  <CitCO124>Madrid</CitCO124>
  <CouCO125>ES</CouCO125>
  <TINCO159>ESA08005688</TINCO159>
</TRACONCO1>
<NOTPAR670>
  <NamNOTPAR672>Pedro</NamNOTPAR672>
  <StrNumNOTPAR673>doctor</StrNumNOTPAR673>
  <PosCodNOTPAR676>28005</PosCodNOTPAR676>
  <CitNOTPAR674>Barcelona</CitNOTPAR674>
  <CouCodNOTPAR675>ES</CouCodNOTPAR675>
  <NOTPAR670LNG>ES</NOTPAR670LNG>
  <TINNOTPAR671>ESA08005688</TINNOTPAR671>
</NOTPAR670>
<GOOITEGDS>
  <IteNumGDS7>1</IteNumGDS7>
  <GooDesGDS23>DESCRIPCION PARTIDA1</GooDesGDS23>
  <GooDesGDS23LNG>ES</GooDesGDS23LNG>
  <GroMasGDS46>100</GroMasGDS46>
  <ComRefNumGIM1>REFERENCIACOMER1</ComRefNumGIM1>
  <UNDanGooCodGDI1>0004</UNDanGooCodGDI1>
  <PRODOCDC2>
    <DocTypDC21>Y022</DocTypDC21>
    <DocRefDC23>ESAEOC99</DocRefDC23>
    <DocRefDCLNG>ES</DocRefDCLNG>
  </PRODOCDC2>
  <PRODOCDC2>
    <DocTypDC21>Y022</DocTypDC21>
    <DocRefDC23>ESAEOF99</DocRefDC23>
    <DocRefDCLNG>ES</DocRefDCLNG>
  </PRODOCDC2>
  <PRODOCDC2>
    <DocTypDC21>Y022</DocTypDC21>
    <DocRefDC23>ESAEOF21</DocRefDC23>
    <DocRefDCLNG>ES</DocRefDCLNG>
  </PRODOCDC2>
  <SPEMENMT2>
    <AddInfCodMT23>10600</AddInfCodMT23>
  </SPEMENMT2>
```



```
<SPEMENMT2>
  <AddInfCodMT23>10600</AddInfCodMT23>
</SPEMENMT2>
<SPEMENMT2>
  <AddInfCodMT23>10600</AddInfCodMT23>
</SPEMENMT2>
<COMCODGODITM>
  <ComNomCMD1>78910</ComNomCMD1>
</COMCODGODITM>
<CONNR2>
  <ConNumNR21>1111111</ConNumNR21>
</CONNR2>
<CONNR2>
  <ConNumNR21>2222222</ConNumNR21>
</CONNR2>
<PACGS2>
  <KinOfPacGS23>NE</KinOfPacGS23>
  <NumOfPacGS24>0</NumOfPacGS24>
  <NumOfPieGS25>5</NumOfPieGS25>
  <MarNumOfPacGSL21>PAQUETES44</MarNumOfPacGSL21>
  <MarNumOfPacGSL21LNG>ES</MarNumOfPacGSL21LNG>
</PACGS2>
</GOOITEGDS>
<GOOITEGDS>
  <IteNumGDS7>2</IteNumGDS7>
  <GooDesGDS23>DESCRIPCION PARTIDA2</GooDesGDS23>
  <GooDesGDS23LNG>ES</GooDesGDS23LNG>
  <GroMasGDS46>200</GroMasGDS46>
  <ComRefNumGIM1>REFERENCIACOMER2</ComRefNumGIM1>
  <UNDanGooCodGDI1>0006</UNDanGooCodGDI1>
  <PRODOCDC2>
    <DocTypDC21>Y022</DocTypDC21>
    <DocRefDC23>ESAEOS44</DocRefDC23>
    <DocRefDCLNG>ES</DocRefDCLNG>
  </PRODOCDC2>
  <PRODOCDC2>
    <DocTypDC21>Y022</DocTypDC21>
    <DocRefDC23>ESAEOS88</DocRefDC23>
    <DocRefDCLNG>ES</DocRefDCLNG>
  </PRODOCDC2>
  <PRODOCDC2>
    <DocTypDC21>Y022</DocTypDC21>
    <DocRefDC23>ESAEOS99</DocRefDC23>
    <DocRefDCLNG>ES</DocRefDCLNG>
  </PRODOCDC2>
  <SPEMENMT2>
    <AddInfCodMT23>10600</AddInfCodMT23>
  </SPEMENMT2>
  <SPEMENMT2>
    <AddInfCodMT23>10600</AddInfCodMT23>
  </SPEMENMT2>
  <COMCODGODITM>
    <ComNomCMD1>123456</ComNomCMD1>
  </COMCODGODITM>
  <CONNR2>
    <ConNumNR21>1111111</ConNumNR21>
  </CONNR2>
```



```
<CONNR2>
  <ConNumNR21>2222222</ConNumNR21>
</CONNR2>
<CONNR2>
  <ConNumNR21>3333333</ConNumNR21>
</CONNR2>
<PACGS2>
  <KinOfPacGS23>AA</KinOfPacGS23>
  <NumOfPacGS24>10</NumOfPacGS24>
  <NumOfPieGS25>0</NumOfPieGS25>
  <MarNumOfPacGSL21>PAQUETES3</MarNumOfPacGSL21>
  <MarNumOfPacGSL21LNG>ES</MarNumOfPacGSL21LNG>
</PACGS2>
<PACGS2>
  <KinOfPacGS23>AB</KinOfPacGS23>
  <NumOfPacGS24>2000</NumOfPacGS24>
  <MarNumOfPacGSL21>PAQUETES4</MarNumOfPacGSL21>
  <MarNumOfPacGSL21LNG>ES</MarNumOfPacGSL21LNG>
</PACGS2>
</GOOITEGDS>
<ITI>
  <CouOfRouCodITI1>IL</CouOfRouCodITI1>
</ITI>
<ITI>
  <CouOfRouCodITI1>ES</CouOfRouCodITI1>
</ITI>
<ITI>
  <CouOfRouCodITI1>FR</CouOfRouCodITI1>
</ITI>
<ITI>
  <CouOfRouCodITI1>IT</CouOfRouCodITI1>
</ITI>
<TRAREP>
  <NamTRE1>REPRESENTANTENUEVO</NamTRE1>
  <StrAndNumTRE1>MENORCA</StrAndNumTRE1>
  <PosCodTRE1>28150</PosCodTRE1>
  <CitTRE1>MENORCA</CitTRE1>
  <CouCodTRE1>ES</CouCodTRE1>
  <TRAREPLNG>ES</TRAREPLNG>
  <TINTRE1>ESA08005688</TINTRE1>
</TRAREP>
<PERLODSUMDEC>
  <NamPLD1>DECLARANTE</NamPLD1>
  <StrAndNumPLD1>CASTELLANA</StrAndNumPLD1>
  <PosCodPLD1>28003</PosCodPLD1>
  <CitPLD1>MADRID</CitPLD1>
  <CouCodPLD1>ES</CouCodPLD1>
  <PERLODSUMDECLNG>ES</PERLODSUMDECLNG>
  <TINPLD1>ESA08005688</TINPLD1>
</PERLODSUMDEC>
<SEID529>
  <SealdSEAID530>111</SealdSEAID530>
  <SealdSEAID530LNG>ES</SealdSEAID530LNG>
</SEID529>
<SEID529>
  <SealdSEAID530>555</SealdSEAID530>
  <SealdSEAID530LNG>ES</SealdSEAID530LNG>
```




```
</SEAI529>
<CUSOFFFENT730>
  <RefNumCUSOFFFENT731>ES002801</RefNumCUSOFFFENT731>
  <ExpDatOfArrFIRENT733>200810230455</ExpDatOfArrFIRENT733>
</CUSOFFFENT730>
<CUSOFFSENT740>
  <RefNumSUBENR909>FR000010</RefNumSUBENR909>
</CUSOFFSENT740>
<CUSOFFSENT740>
  <RefNumSUBENR909>IT014100</RefNumSUBENR909>
</CUSOFFSENT740>
<TRACARENT601>
  <NamTRACARENT604>PEPA</NamTRACARENT604>
  <StrNumTRACARENT607>PIOXII</StrNumTRACARENT607>
  <PstCodTRACARENT606>28006</PstCodTRACARENT606>
  <CtyTRACARENT603>SEVILLA</CtyTRACARENT603>
  <CouCodTRACARENT605>ES</CouCodTRACARENT605>
  <TRACARENT601LNG>ES</TRACARENT601LNG>
  <TINTRACARENT602>ESA08005688</TINTRACARENT602>
</TRACARENT601>
<Signature xmlns="http://www.w3.org/2000/09/xmldsig#" Id="Firma">
  <SignedInfo>
    <CanonicalizationMethod Algorithm="http://www.w3.org/TR/2001/REC-xml-c14n-
20010315"/>
    <SignatureMethod Algorithm="http://www.w3.org/2000/09/xmldsig#rsa-sha1"/>
    <Reference URI="#CC313A">
      <Transforms>
        <Transform
Algorithm="http://www.w3.org/2000/09/xmldsig#enveloped-signature"/>
      </Transforms>
      <DigestMethod Algorithm="http://www.w3.org/2000/09/xmldsig#sha1"/>
      <DigestValue>n3IbY/b/CFFhedcnZaXIN/ObGu0=</DigestValue>
    </Reference>
    <Reference URI="#CertificadoFirmante">
      <DigestMethod Algorithm="http://www.w3.org/2000/09/xmldsig#sha1"/>
      <DigestValue>4dsS97ViipbUvUroJR0E5C2JxeY=</DigestValue>
    </Reference>
    <Reference URI="#SignedProperties">
      <DigestMethod Algorithm="http://www.w3.org/2000/09/xmldsig#sha1"/>
      <DigestValue>G31QvuU05tlqi4VV984y0tojVrY=</DigestValue>
    </Reference>
  </SignedInfo>

  <SignatureValue>wFMgXJzEsCc4Su3zxc+jqmRmsi2TxaF9iBLuyoxe5A7e0oNEzij02k0/1rUSelP7u
P9APhFtJ/R
cFQQeE9FRS3EX3RXUkdNjJld69eTQ3YGCC7j14HjR3+haJSCLi01kVniSM4kPwJ10WInoHWsNRZ2
O8xvB7eTSpg6UcKbzmg=</SignatureValue>
  <KeyInfo Id="CertificadoFirmante">
    <X509Data>
      <X509Certificate>MIIFLDCCBJWgAwIBAgIEPL6DLjANBgkqhkiG9w00BAQUFADA2MQswCQYDVQ
QGEwJFUzENMAsGA1UE
ChMEREk5NVDEYMBYGA1UECXMpRk5NVCBDbGFzZSAyIENBMB4XDTEwMDUyNjE3NDYwN1oXDTEzMDUy
NjE3NDYwN1owYyZAJBgNVBAYTAkVMTMQ0wCwYDVQQKEwRGTk1UMRgwFgYDVQQLEw9GTk1UIE
Ns
YXNIIDlgQ0ExEjAQBgNVBAsTCTUwMDA1MzA3NTE7MDkGA1UEAxMyTk9NQlJFIENFUURJRkIDQUVU

```



```
IFVOTyBURUxFTUFUSUNBUyAtIE5JRiA4OTg5MDAwMUswgZ8wDQYJKoZIhvcNAQEBBQADgY0AMIGJ
AoGBAMO+DIEnMdec00dcNNecW+s3kkHAK6NQDE9sRneFjkbpzoJv/Srr06IYOEh4SEh7njfz9uqQ
sOXkSkStHlQediet4C8pbODXE4fNgwTKtz/K0g3BR68IAMRgvhTTNKuRHoFPVR1y6d1nU6RSz0pb
zJU2LTgBXkhY1ujxi1bzu+IPAgMBAAGjggLzMIIC7zBzBgNVHREEbDBqpGgwZjEYMBYGCsGAQQB
rGYBBBMJODk4OTAwMDFLMRlwEAYJKwYBBAGsZgEDEwNVTk8xGjAYBgkrBgEEAaxmAQITC0NFUIRj
RkIDQURPMRowGAYJKwYBBAGsZgEBEwtURUxFTUFUSUNBUzAJBgNVHRMEAjAAMCsGA1UdEAQkM
CKA
DzlwMTAwNTI2MTc0NjA3WoEPMjAxMzA1MjYxNzQ2MDdaMAsGA1UdDwQEAwIFoDARBglghkgBhvhC
AQEEBAMCBaAwHQYDVR0OBBYEFQjNdZUcqdgS/YY4OL8WSjYXZvVMB8GA1UdIwQYMBaAFECadkS
X
dAfeRbTLHo1POkV8MNdhMIIBMqYDVR0gBIIKDCCASQwggEgBgkrBgEEAaxmAwUwggERMDQGCCsG
AQUBBwIBFihodHRwOi8vd3d3LmNlcnQuZm5tdC5lcy9jb252ZW5pb9k9kcGMucGRmMIHYBggrBgEF
BQcCAjCBYxqByENlcnRpZmljYWRvIFJlY29ub2NpZG8gZXhwZWRpZG8gc2Vn+m4gbGVnaXNsYWNp
824gdmlnZW50ZS5Vc28gbGitaXRhZG8gYSBsYSBDb211bmlkYWQgRWxiY3Ry825pY2EgcG9yIHZh
bG9yIG3heGltbyBkZSAxMDAgZSBzYWx2byBleGNlcnNpb25lcyBibiBEUEMuQ29udGFjdG8gRk5N
VDpDL0pvcmdllEp1YW4gMTA2LTl4MDA5LU1hZlJpZC1Fc3Bh8WEuMB0GCsGAQQBBrGYBIIQkQFg5Q
RVJTT05BIEZJU0IDQTAwBgggrBgEFBQcBAwQjMCEwCAYGBACORgEBMBUGBgQAjYBAjALEwNFVVIC
AWQCAQAwWwYDVR0fBFQwUjBQoE6gTKRkMEgxCzAJBgNVBAYTAKVTM0QwCwYDVRQQKEwRGTK1U
MRgw
FgYDVQQLEw9GTk1UIENsYXNlIDlgQ0ExEDAOBgNVBAMTB0NSTDcyNjcwDQYJKoZIhvcNAQEFBQAD
gYEASDUM271Q+g7HDbqUmcJbXP6oWGN1bshDCeKuzte4Eulw8ITKjyBWeR8hnci0F/G0h5nLWnZt
8bdnXaNES2QINf2jyuVaS7ydZTy03X19lbu1Y0xHiLT9adonXxgH8U7jWYVlu6UdlPezymahZQVE
VJID5AZAmfdbPa4zhW7IG14=</X509Certificate>
</X509Data>
</KeyInfo>
<Object>
  <etsi:QualifyingProperties xmlns:ds="http://www.w3.org/2000/09/xmldsig#"
xmlns:etsi="http://uri.etsi.org/01903/v1.2.2#" Target="#Firma">
    <etsi:SignedProperties Id="SignedProperties">
      <etsi:SignedSignatureProperties>
        <etsi:SigningTime>2012-07-
30T11:06:43+02:00</etsi:SigningTime>
        <etsi:SignaturePolicyIdentifier>
          <etsi:SignaturePolicyId>
            <etsi:SigPolicyId>
              <etsi:Identifier>http://administracionelectronica.gob.es/es/ctt/politicafirma/politica_firma_AGE_v1_8.p
df</etsi:Identifier>
              </etsi:SigPolicyId>
              <etsi:SigPolicyHash>
                <ds:DigestMethod
Algorithm="http://www.w3.org/2000/09/xmldsig#sha1"/>
                <ds:DigestValue>VYICYpNOjs09g1mBiXDVxNORpKk=</ds:DigestValue>
              </etsi:SigPolicyHash>
            </etsi:SignaturePolicyId>
          </etsi:SignaturePolicyIdentifier>
        </etsi:SignedSignatureProperties>
      </etsi:SignedProperties>
    </etsi:QualifyingProperties>
  </Object>
</Signature>
</ie:CC313A>
```

8.3. IE323 – Diversion Request Import - E_DIV_REQ



```
<ie:CC323A
xmlns:ie="https://www2.agenciatributaria.gob.es/ADUA/internet/es/aeat/dit/adu/aden/enswsv5/IE323V5Ent.x
sd" Id="CC323A">
  <MesSenMES3>99999999R</MesSenMES3>
  <MesRecMES6>NICA.ES</MesRecMES6>
  <DatOfPreMES9>010101</DatOfPreMES9>
  <TimOfPreMES10>2002</TimOfPreMES10>
  <MesIdeMES19>09ES200350447</MesIdeMES19>
  <MesTypMES20>CC323A</MesTypMES20>
  <HEAHEA>
    <TraModAtBorHEA76>4</TraModAtBorHEA76>
    <CouCodOffFirEntDecHEA100>ES</CouCodOffFirEntDecHEA100>
    <InfTypHEA122>1</InfTypHEA122>
    <DivRefNumHEA119>ES00000018</DivRefNumHEA119>
    <ExpDatArrHEA701>20090505</ExpDatArrHEA701>
  </HEAHEA>
  <CUSOFFENTACTOFF700>
    <RefNumCUSOFFENTACTOFF701>GR001077</RefNumCUSOFFENTACTOFF701>
  </CUSOFFENTACTOFF700>
  <TRAREQDIV456>
    <NamTRAREQDIV457>MARK ANDERSENN</NamTRAREQDIV457>
    <StrAndNumTRAREQDIV458>SOHO 12</StrAndNumTRAREQDIV458>
    <CouTRAREQDIV459>SE</CouTRAREQDIV459>
    <PosCodTRAREQDIV460>23654</PosCodTRAREQDIV460>
    <CitTRAREQDIV461>MADRID</CitTRAREQDIV461>
    <TRAREQDIV456LNG>ES</TRAREQDIV456LNG>
    <TINTRAREQDIV463>ESA08005688</TINTRAREQDIV463>
  </TRAREQDIV456>
  <IMPOPE200>
    <DocRefNumIMPOPE201>08ES00461170000171</DocRefNumIMPOPE201>
  </IMPOPE200>
  <Signature xmlns="http://www.w3.org/2000/09/xmldsig#" Id="Firma">
    <SignedInfo>
      <CanonicalizationMethod Algorithm="http://www.w3.org/TR/2001/REC-xml-c14n-
20010315"/>
      <SignatureMethod Algorithm="http://www.w3.org/2000/09/xmldsig#rsa-sha1"/>
      <Reference URI="#CC323A">
        <Transforms>
          <Transform
Algorithm="http://www.w3.org/2000/09/xmldsig#enveloped-signature"/>
        </Transforms>
        <DigestMethod Algorithm="http://www.w3.org/2000/09/xmldsig#sha1"/>
        <DigestValue>GKwWAZ8EMVRfoIFKHRIqv2XgPgg=</DigestValue>
      </Reference>
      <Reference URI="#CertificadoFirmante">
        <DigestMethod Algorithm="http://www.w3.org/2000/09/xmldsig#sha1"/>
        <DigestValue>v1pp8a6QwNp1cpjXwreWIOTKrcl=</DigestValue>
      </Reference>
      <Reference URI="#SignedProperties">
        <DigestMethod Algorithm="http://www.w3.org/2000/09/xmldsig#sha1"/>
        <DigestValue>84IKk3PbXVRrlqd8JwW7LoOMrFk=</DigestValue>
      </Reference>
    </SignedInfo>
    <SignatureValue>Xv9ZlMnSM5060sLyUuq+e3+R48LrrEjvugdWuUNxiR8HYij1D7HMniR4u9OdT9gp
Rn3bn7nzmel
/gbRjNov77a9OyanTKQC9bCSyXX6qxKZVclsgRdHuGzY5kI5PI5hF5Wa2z4YiB4ZZ2UWZfVUezd
</SignatureValue>
</Signature>
</ie:CC323A>
```




```
        </etsi:SignaturePolicyIdentifier>
      </etsi:SignedSignatureProperties>
    </etsi:SignedProperties>
  </etsi:QualifyingProperties>
</Object>
</Signature>
</ie:CC323A>
```

8.4. Entry Summary Declaration Information Request – ConsENSV3

```
<ConsENSV3Ent
  xmlns="https://www2.agenciatributaria.gob.es/ADUA/internet/es/ae
at/dit/adu/aden/ensws/ConsENSV3Ent.xsd">
  <TraModAtBorHEA76>1</TraModAtBorHEA76>
  <ExpDatOfArr>20110809</ExpDatOfArr>
  <ConRefNum>9294408</ConRefNum>
</ConsENSV3Ent>
```